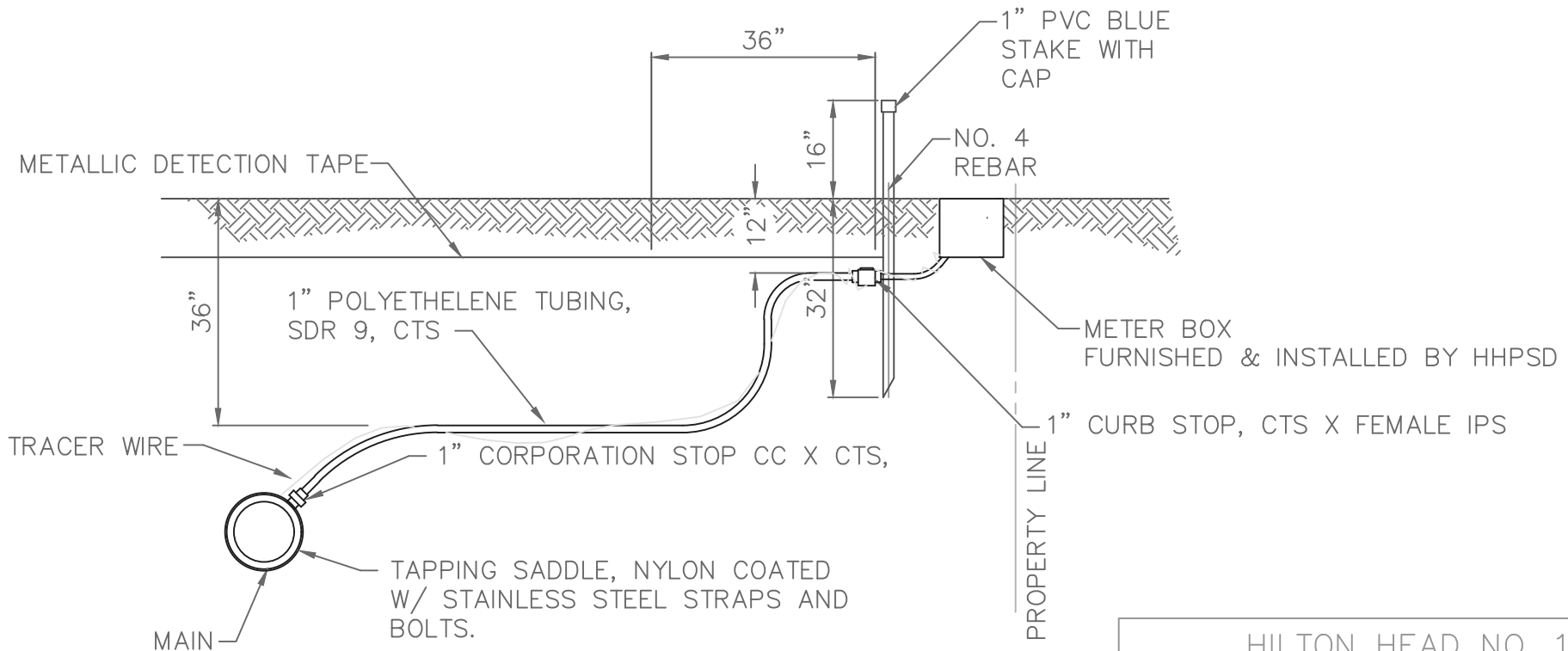


NOTE:

- 1.) HHPSD OWNS WATER SERVICE CONNECTION UP TO THE PROPERTY LINE. PAST THE PROPERTY LINE, SERVICE LINE IS PROPERTY OWNER'S RESPONSIBILITY.
- 2.) WATER SERVICES AND PLUMBING SHALL CONFORM TO RELEVANT LOCAL PLUMBING CODES OR TO THE NATIONAL PLUMBING CODE. DHEC REG. 61-58: SECTION D.15.A.
- 3.) WATER METER TO BE FURNISHED AND INSTALLED BY HHPSD. METER SHALL BE LOCATED IN AN ACCESSIBLE LOCATION IN THE R/W ADJACENT TO THE PROPERTY LINE, AS SHOWN BELOW.
- 4.) REFER TO THE WATER DISTRIBUTION SYSTEM SPECIFICATIONS FOR ACCEPTABLE MANUFACTURERS.



1" WATER SERVICE CONNECTION DETAIL

NOT TO SCALE

HILTON HEAD NO. 1 PUBLIC SERVICE DISTRICT		
1" WATER SERVICE CONNECTION DETAIL		
APPROVED BY: LC	DATE: Feb. 1997	DRAWING NO. VIII-1
SCALE: NTS	REVISED: Jan. 2024	